

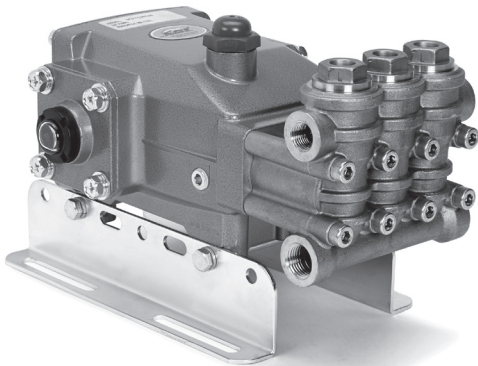
# DATA SHEET

## 5CP PLUNGER PUMPS



The Pumps with Nine Lives

**Brass Models: 5CP4110CSS, 5CP4112CSS, 5CP4114CSS, 5CP4116CSS, 5CP4118CSS, 5CP4120CSS**



Model 5CP4120CSS Shown  
(Rails sold separately)

### FEATURES

- Industrial triplex design offers reliability and versatility.
- Belt-driven option provides precision flow setting.
- Compact direct-drive mount to motor uses bell housing and flexible coupler assembly. NEMA or IEC electric motor or SAE hydraulic options available.
- Press-in seal cases for easy servicing.
- Side and rear oil gauge for easy maintenance.
- Standard NBR seals with alternative options for temperature and chemical compatibility.

### COMMON SPECIFICATIONS

	U.S. Measure	Metric Measure
Pressure Range	100 to 4000 psi	6.9 to 275 bar
Pump RPM*	1750 rpm	1750 rpm
Inlet Pressure Range	-2.5 to 60 psi	-2 to 4.1 bar
Max. Liquid Temp. (NBR)	160° F	71° C
Bore	0.590"	15 mm
Crankcase Capacity	17 oz.	0.51 l
Inlet Ports (2)	1/2" NPT(F)	1/2" NPT(F)
Discharge Ports (2)	3/8" NPT(F)	3/8" NPT(F)
Shaft Diameter	0.787"	20 mm
Weight	19.9 lbs.	9 kg
Dimensions	10.63 x 8.90 x 5.75"	270 x 266 x 146 mm

\*Pump minimum is 100 RPM.

### SPECIFICATIONS

	U.S. Measure	Metric Measure
<b>5CP4110CSS</b>		
Flow	2.2 gpm	8.3 lpm
Stroke	0.394	10 mm
<b>5CP4112CSS</b>		
Flow	2.7 gpm	10.2 lpm
Stroke	0.472"	12 mm
<b>5CP4114CSS</b>		
Flow	3.2 gpm	12.1 lpm
Stroke	0.551"	14 mm
<b>5CP4116CSS</b>		
Flow	3.8 gpm	14.4 lpm
Stroke	0.650"	16.5 mm
<b>5CP4118CSS</b>		
Flow	4.2 gpm	15.9 lpm
Stroke	0.709"	18 mm
<b>5CP4120CSS</b>		
Flow	4.5 gpm	17.0 lpm
Stroke	0.787"	20 mm

### ALTERNATIVE SEAL CONFIGURATION

MATERIAL	SUFFIX CODE	MAXIMUM TEMPERATURE
NBR	—	160° F (71° C)

See Reference Document 99TCH002 for inlet conditions and RPM at high temperature.

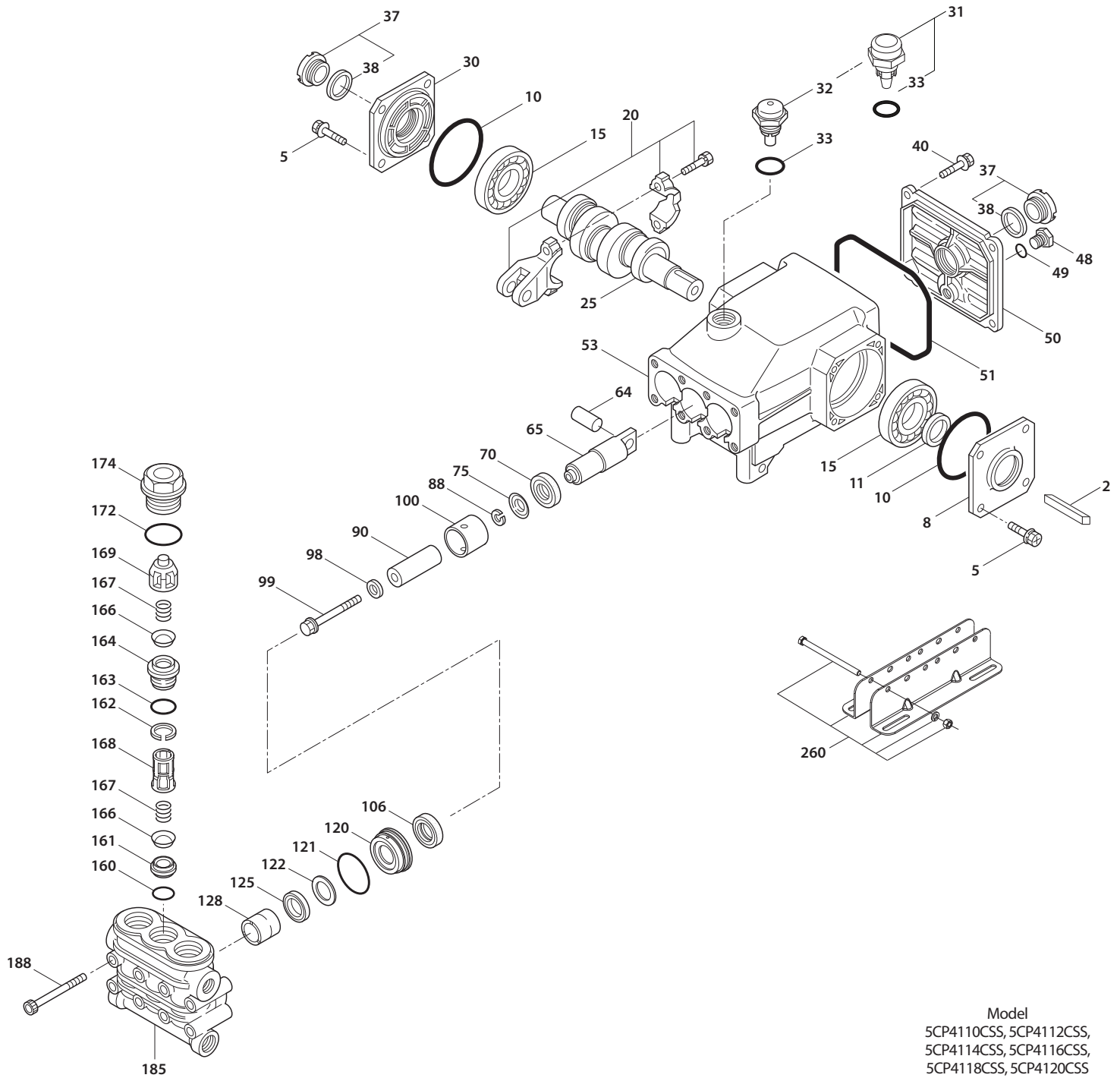
<b>DETERMINING THE PUMP R.P.M.</b>	Rated gpm	=	"Desired" gpm
	Rated rpm	=	"Desired" rpm
<b>DETERMINING THE REQUIRED H.P.</b>	Hp (Electric Brake)	=	$\frac{\text{gpm} \times \text{psi}}{1460}$
	<b>DETERMINING MOTOR PULLEY SIZE</b>	$\frac{\text{Motor Pulley O.D.}}{\text{Pump rpm}}$	= $\frac{\text{Pump Pulley O.D.}}{\text{Motor rpm}}$

Refer to pump **Service Manual** for repair procedure and additional technical information.

## PARTS LIST

ITEM	PART NUMBERS	MATL	DESCRIPTION	QTY
2	30057	STL	Key (M6x6x25)	1
5	126542	STCP R	Screw, HHC, Sems (M8x16)	8
8	46910	AL	Cover, Bearing	1
10	14028	NBR	O-Ring, Bearing Cover - 70D	2
11	43222	NBR	Seal, Oil, Crankshaft - 70D	1
15	14480	STL	Bearing, Ball	2
20	48742	TNM	Rod, Connecting Assy	3
25	<b>48203</b>	FCM	Crankshaft, Single End (M10)	1
	<b>48500</b>	FCM	Crankshaft, Single End (M12)	1
	<b>49872</b>	FCM	Crankshaft, Single End (M14)	1
	<b>48368</b>	FCM	Crankshaft, Single End (M16.5)	1
	<b>48233</b>	FCM	Crankshaft, Single End (M18)	1
	<b>49773</b>	FCM	Crankshaft, Single End (M20)	1
30	49776	AL	Cover, Bearing	1
31	127409	—	Cap, Vented W/O-Ring (Rain Cap)	1
32	46798	—	Cap, Oil Filler, Domed	1
33	14179	NBR	O-Ring, Oil Filler Cap - 70D	1
37	92241	PC	Gauge, Oil, Bubble w/Gasket - 80D	2
38	44428	NBR	Gasket, Flat, Oil Gauge - 80D	2
40	125824	STCP R	Screw, HHC, Sems (M6x16)	4
48	25625	STCP	Plug, Drain (1/4"x19BSP)	1
49	23170	NBR	O-Ring, Drain Plug - 70D	1
50	46940	AL	Cover, Rear	1
51	14044	NBR	O-Ring, Rear Cover	1
53	48617	AL	Crankcase	1
64	46746	CM	Pin, Crosshead	3
65	48458	BBNP	Rod, Plunger	3
70	46838	NBR	Seal, Oil, Crankcase - 70D	3
75	43900	S	Slinger, Barrier	3
88	45697	S	Washer, Keyhole (M18x10)	3
90	49906	CC	Plunger (M15 x 41)	3
98	46730	NBR	Washer, Seal - 90D	3
99	49907	S	Retainer, Plunger w/Stud (M6)	3
100	46749	PVDF	Retainer, Seal	3
106	49913	NBR	Seal, LPS w/SS-Spg	3
120	49912	BB	Case, Seal (Press-in-style)	3
121	13980	NBR	O-Ring, Seal Case - 70D	3
122	49944	STB	Ring, Support	3
125	49910	SNG	Seal, HPS	3
128	49990	D	Adapter, Male	3
139	22179	BBCP	Plug, Inlet [1/2" NPT(M)]	1
160	11346	NBR	O-Ring, Inlet Seat - 70D	3
161	49918	S	Seat Inlet	3
162	49844	PTFE	Back-up-Ring, Discharge Seat	3
163	49845	NBR	O-Ring, Discharge Seat - 70D	3
164	49917	S	Seat, Discharge	3
166	46429	S	Valve	6
167	43750	S	Spring	6
168	49847	PVDF	Retainer, Spring, Inlet	3
169	44565	PVDF	Retainer, Spring, Discharge	3
172	26089	NBR	O-Ring, Valve Plug - 80D	3
174	49920	BB	Plug, Valve	3
185	49863	FBB	Manifold, Head	1
188	87868	STZP	Screw, HSH (M8 x 107)	8
196	22187	BBCP	Plug, Discharge [3/8" NPT(M)]	1
255	30243	STZP	Mount, Direct	1
260	30611	STZPR	Mount, Rail, Assy (4.22") Standard	1
	30613	STZPR	Mount, Rail, Assy (5.02")	1
	76513	STZPR	Mount, Rail, Assy (5.52")	1
275	30944	STL	Assembly, "H" Hub & Key (Incls: 30945, 30057)	1

# EXPLODED VIEW

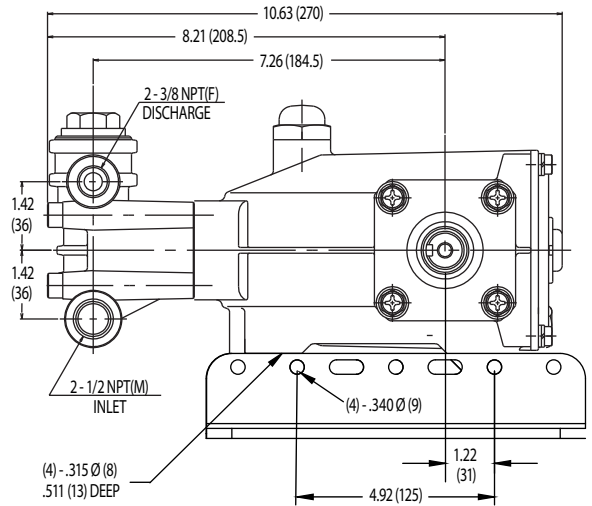
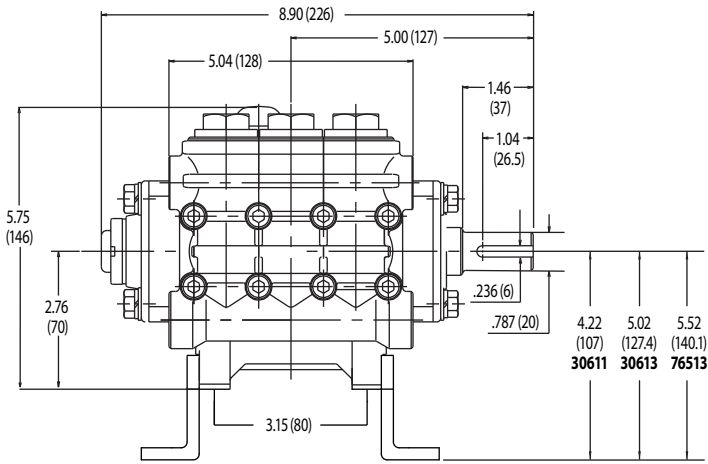


ITEM	PART NUMBERS	MATL	DESCRIPTION	QTY
283	76334	—	<i>Kit, Oil Indicator (3/8" x 24") (See Individual Data Sheet)</i>	1
	34334	—	<i>Kit, Oil Drain (3/8" x 24") (See Individual Data Sheet)</i>	1
299	818584	FBB	Head, Complete w/ NBR Seals and O-Rings	1
300	76979	NBR	Kit, Seal (Incls: 98, 106, 121, 125, 128)	1
310	77026	NBR	Kit, Valve Preassembled (Incls: 160-164, 166-169, 172)	1
—	6107	—	Oil, Bottle (21 oz.) ISO 68 Hydraulic (Fill to specified crankcase capacity prior to start-up)	1

**Bold print part number are unique to a particular pump model.** *Italics are optional items.* R Components comply with RoHS Directive.

For additional technical information see [www.catpumps.com/literature/tech-bulletins](http://www.catpumps.com/literature/tech-bulletins).

MATERIAL CODES (Not Part of Part Number): AL=Aluminum BB=Brass BBCP=Brass/Chrome Plated BBNP=Brass/Nickel Plated CC=Ceramic CM=Chrome-moly  
 D=Acetal FBB=Forged Brass FCM=Forged Chrome-moly NBR=Medium Nitrile (Buna-N) PC=Poly Carbonate PTFE= Polytetrafluoroethylene  
 PVDF=Polyvinylidene Fluoride S=304SS SNG=Special Blend (Buna) STB=Special Blend PTFE STL=Steel STCP=Steel/Chrome Plated  
 STZP=Steel/Zinc Plated TNM=Special High Strength UHMW=Ultra High Molecular Weight Polyethylene



Models 5CP4110CSS, 5CP4112CSS, 5CP4114CSS, 5CP4116CSS, 5CP4118CSS, 5CP4120CSS

**⚠ CAUTIONS AND WARNINGS**

All high-pressure systems require a primary pressure regulating device (i.e. regulator, unloader) and a secondary pressure relief device (i.e. pop-off valve, relief valve). Failure to install such relief devices could result in personal injury or damage to pump or property. Cat Pumps does not assume any liability or responsibility for the operation of a customer's high-pressure system.

Read all CAUTIONS and WARNINGS before commencing service or operation of any high-pressure system. The CAUTIONS and WARNINGS are included in each Service Manual and with each Accessory Data sheet. CAUTIONS and WARNINGS can also be viewed online at [www.catpumps.com/dynamic-literature/cautions-and-warnings](http://www.catpumps.com/dynamic-literature/cautions-and-warnings) or can be requested directly from Cat Pumps.

**WARRANTY**

View the Limited Warranty on-line at [www.catpumps.com/literature/cat-pumps-limited-warranty](http://www.catpumps.com/literature/cat-pumps-limited-warranty)